

Thin dielectric (blank PC board)

Impedance matching strip:
 $1/8 \lambda$ in length, $1/16 \lambda$ in width
 (26.25mm x 13.125 mm)

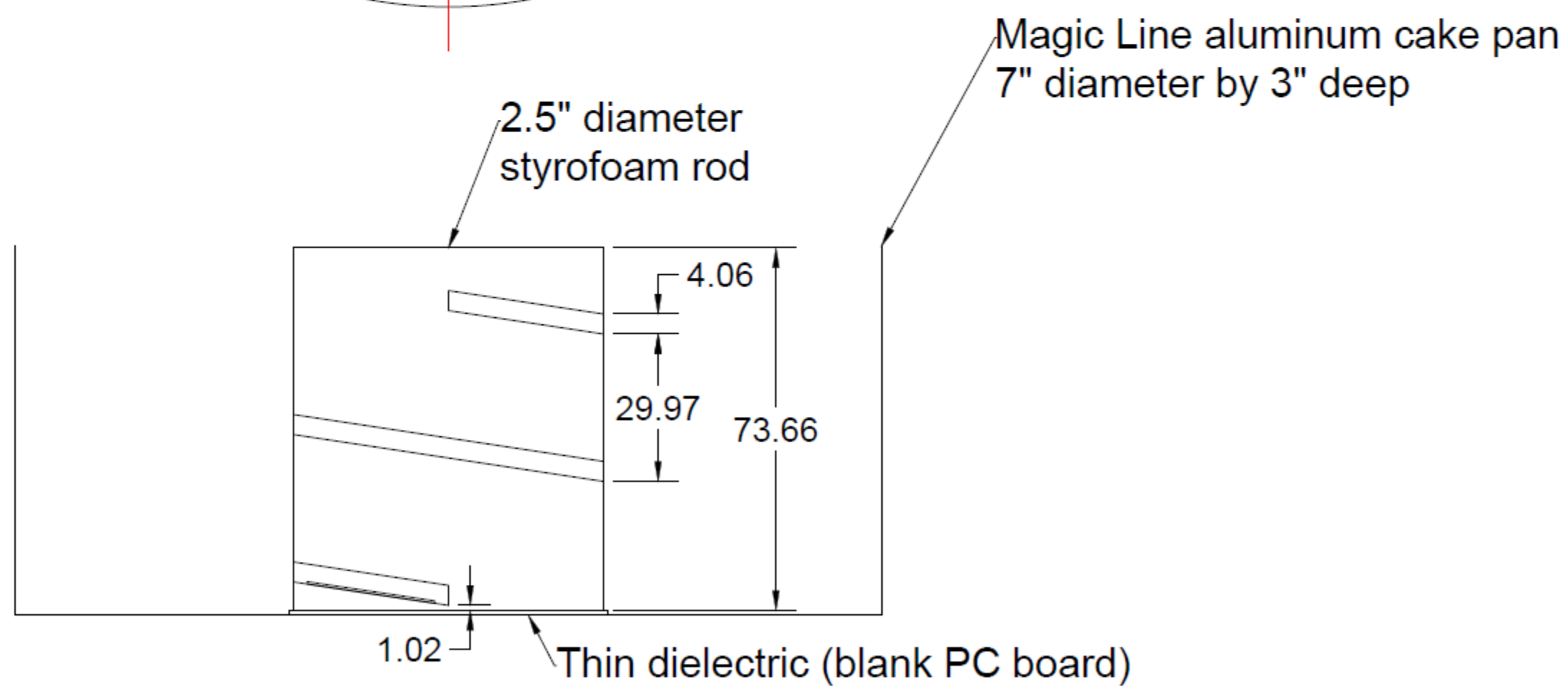
Soldered onto base of helix strip

Note 1: Ø1/4-20 OD
 Note 2: Ø6-32 OD

2-Turn LCP Helix:
 Center Frequency: 1420 MHz
 Wavelength: $\lambda=21$ cm

D=63.50mm (0.3 λ)
 S=29.97mm (0.14 λ)
 $\alpha=8.61^\circ$

Note: Helix is LCP to give RCP upon reflection by dish



Magic Line aluminum cake pan
 7" diameter by 3" deep