

# Development of a Low Cost Spectrometer for the Small Radio Telescope (SRT), Very Small Radio Telescope (VSRT), and Ozone Spectrometer

Marc Higginson-Rollins  
University of Kentucky

Mentor: Dr. Alan E.E. Rogers  
MIT Haystack Observatory

# Outline

- Introduction and Motivation
- System Overview
- Challenges
  - Gain and Saturation
  - RFI (Radio Frequency Interference)
  - Frequency Drifting
  - Frequency Offset
- Astronomical Observations
- Conclusion

# Introduction and Motivation

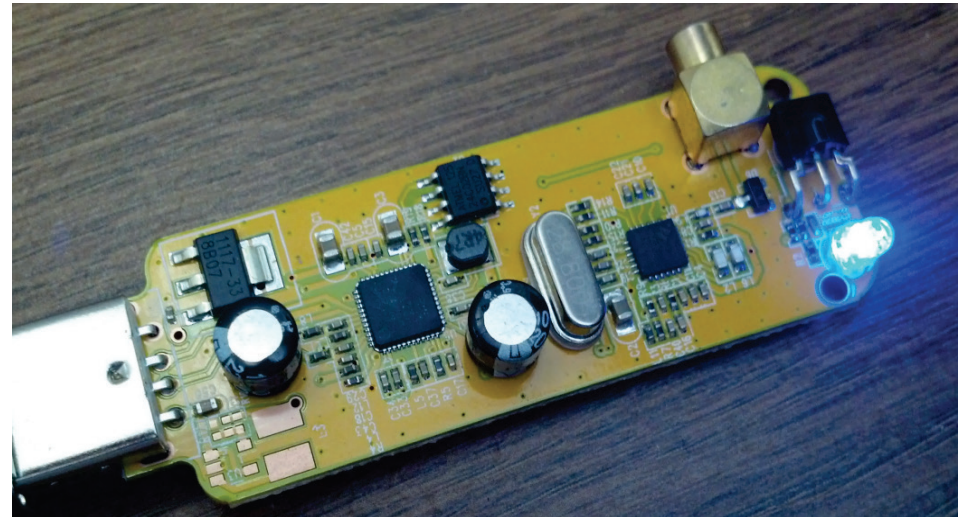


- The SRT (Small Radio Telescope) was developed by Haystack Observatory as an educational tool for universities and colleges to teach astronomy and radio technology.
- Still in demand and used by academic institutions.
- Development of a low cost alternative to the current SRT system could be widely beneficial.

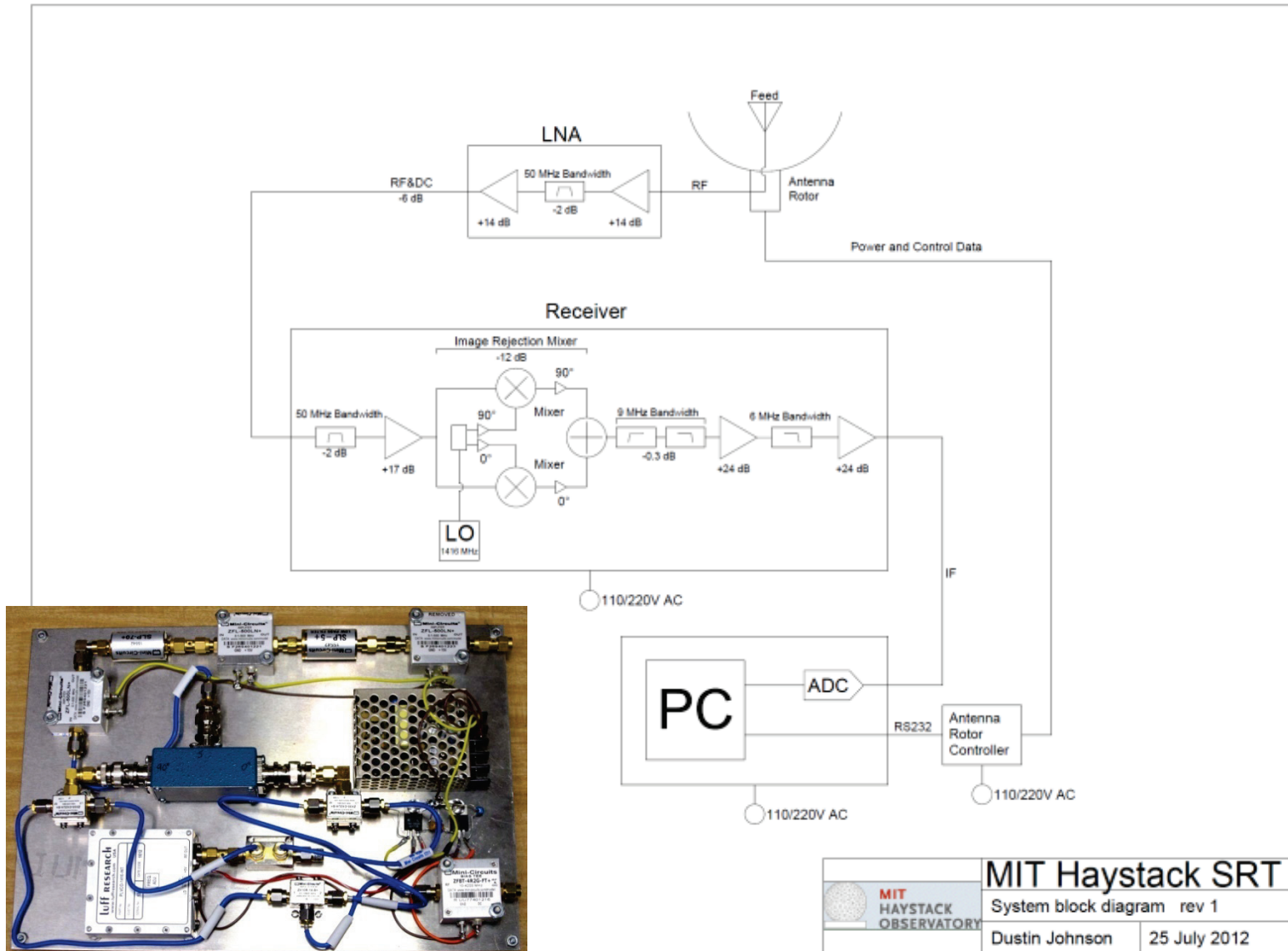
[1] Old SRT

# System Overview

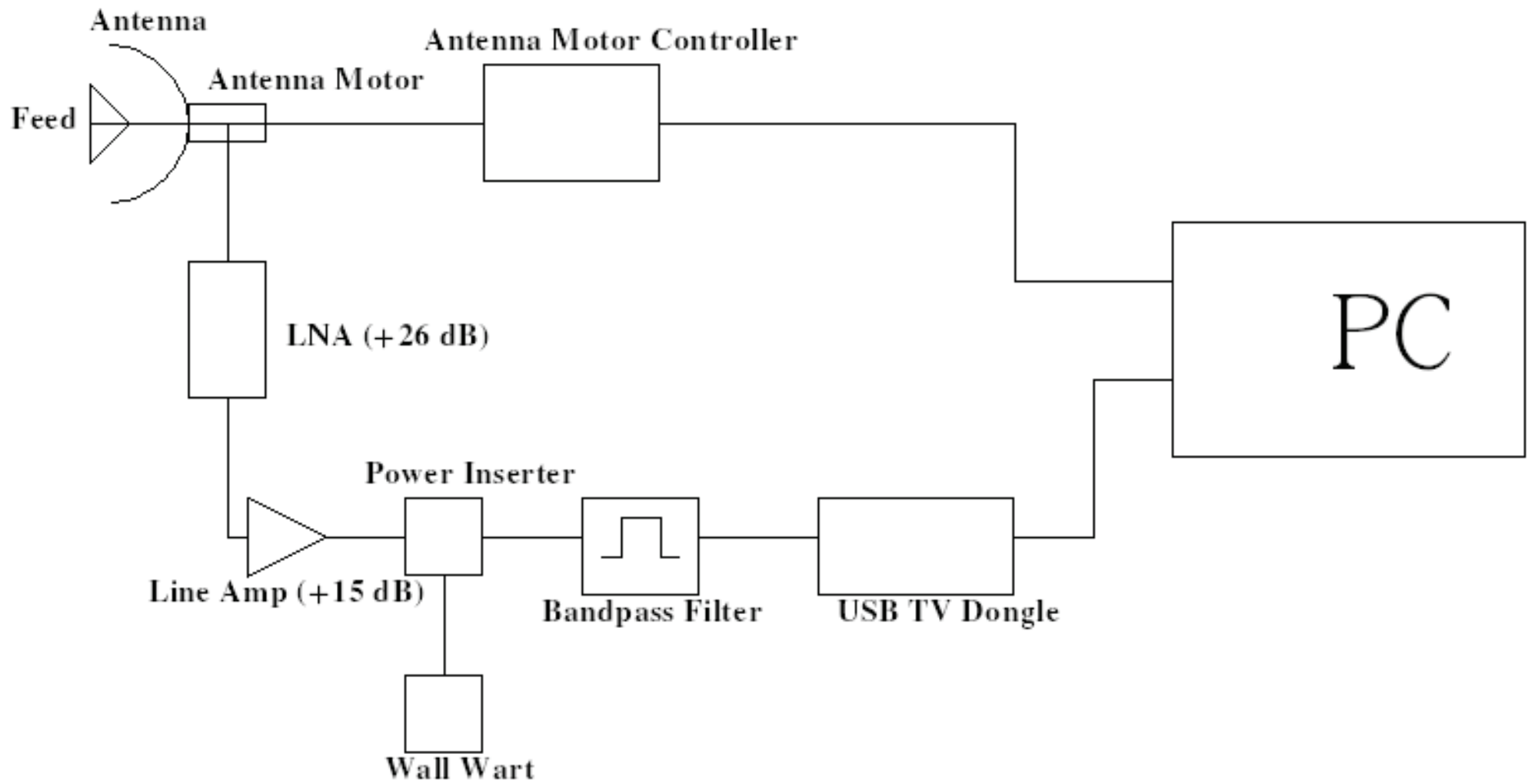
- Tuner: Rafael Microelectronics, Inc. R820T
- ADC/Demodulator Chip: Realtek, Inc. RTL2832U
- Superheterodyne receiver
- I/Q Demodulation
- Frequency Range: 24-1766 MHz
- Max Sample Rate: 2.4 MS/s (3.2 MS/s)
- Cost: ~\$12-22



# Previous SRT

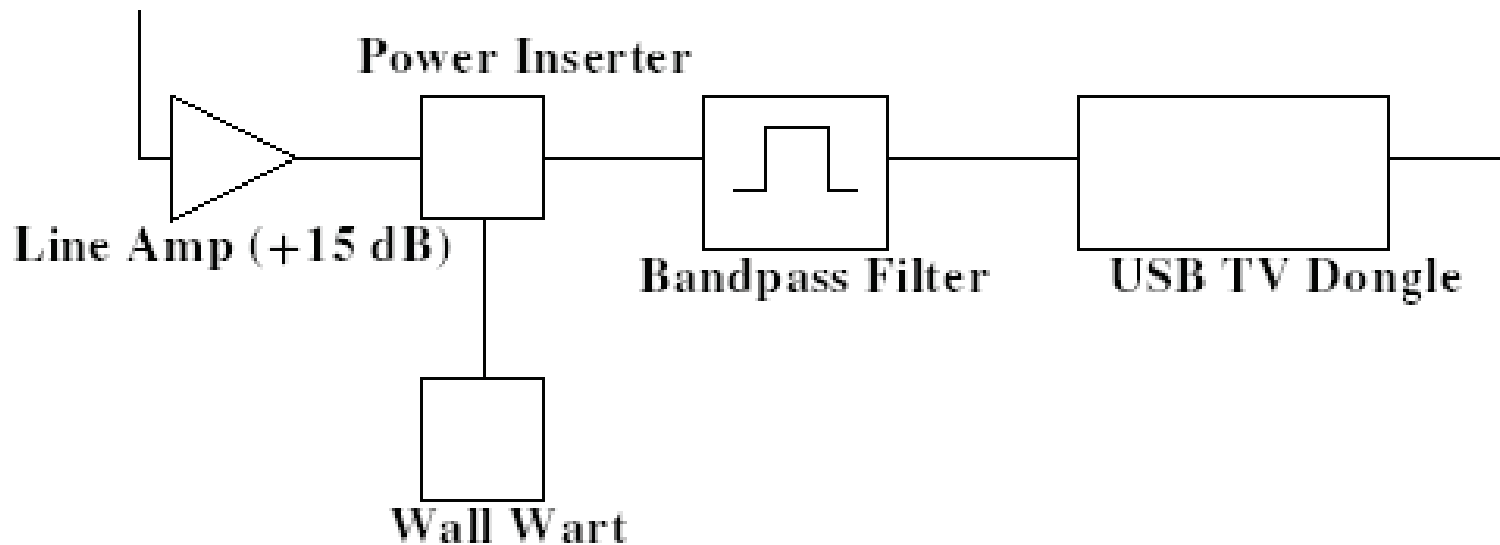


# Dongle-Based SRT Schematic



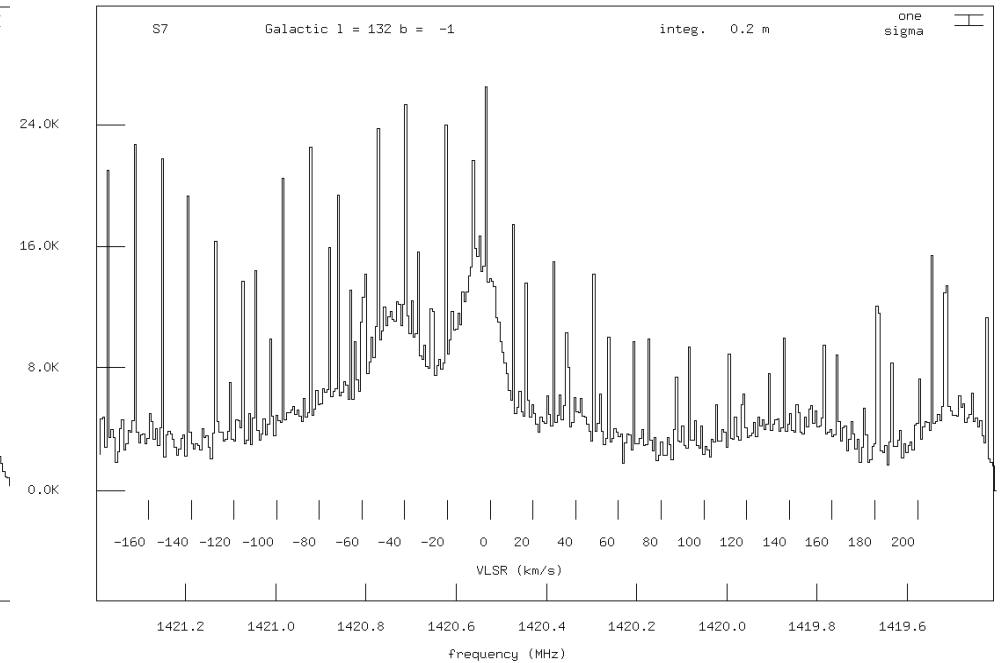
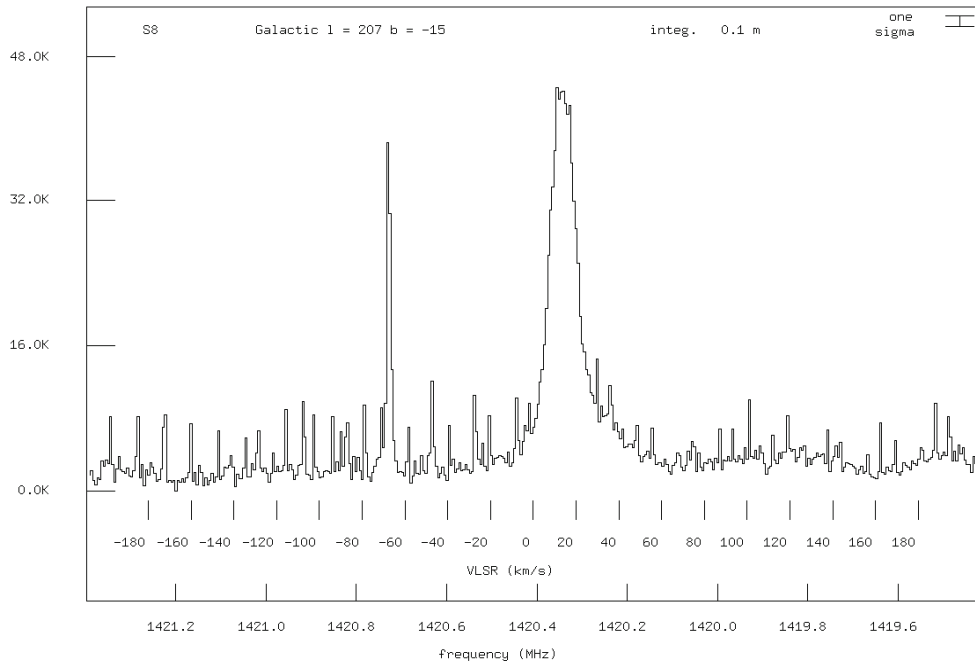
# Gain and Saturation

- Expected power level from Hydrogen Line -125 dBm
- LNA provides +26 dBm
- Internal amplifiers of the USB Dongle aren't enough!



# RFI

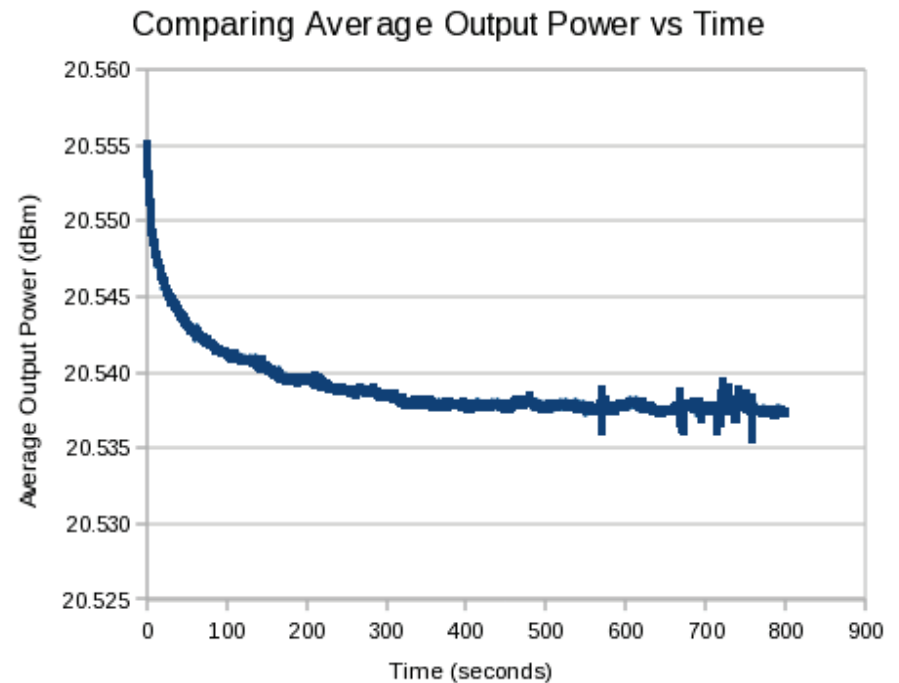
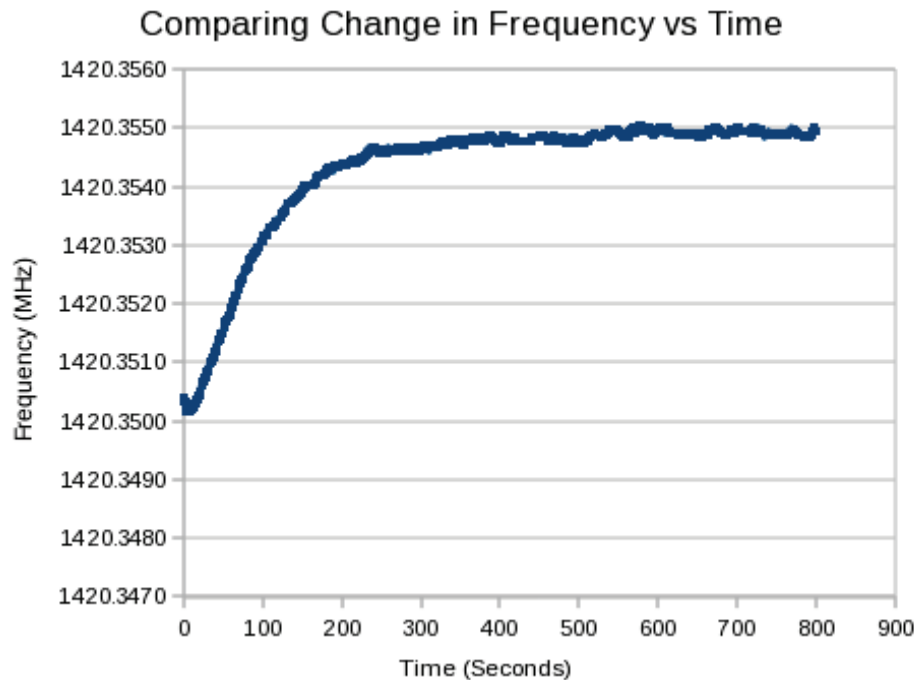
- Replaced high pass filter with a 1420-1470 MHz band pass filter.





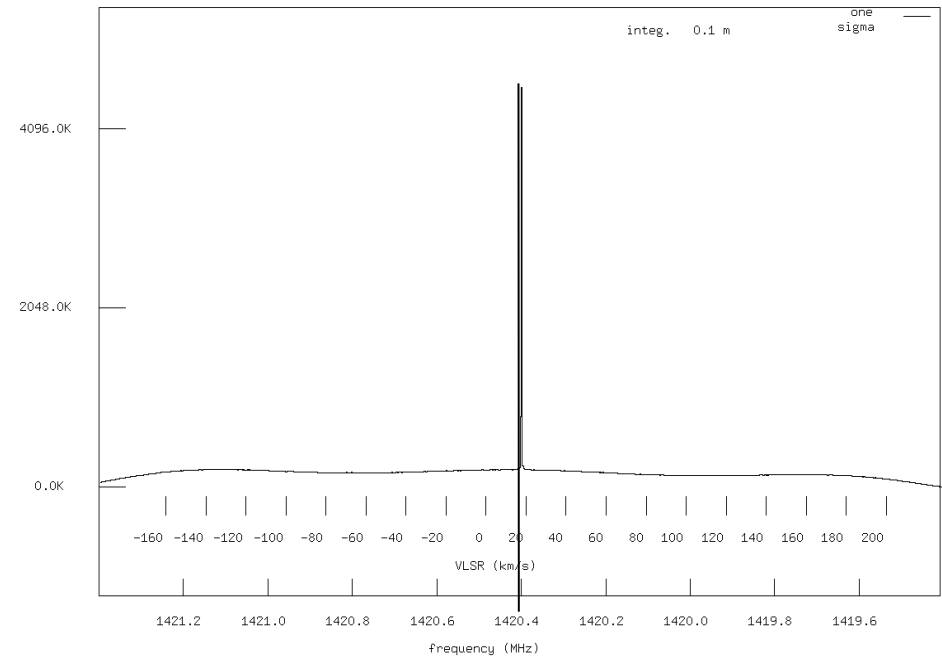
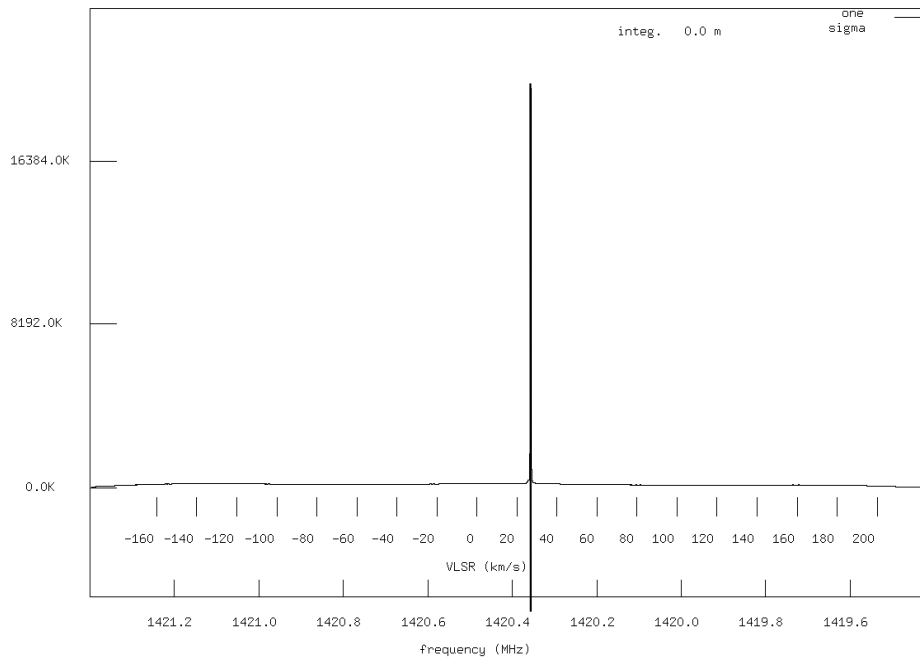
# Frequency Drifting

- Vast temperature changes ( $\geq 20^{\circ}\text{C}$ )

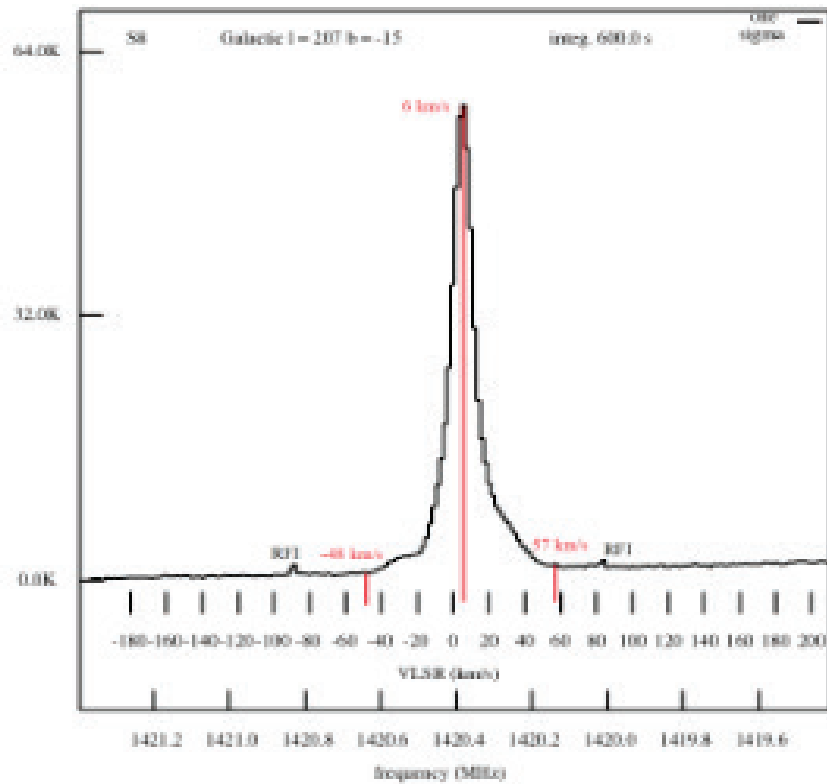


# Frequency Offset

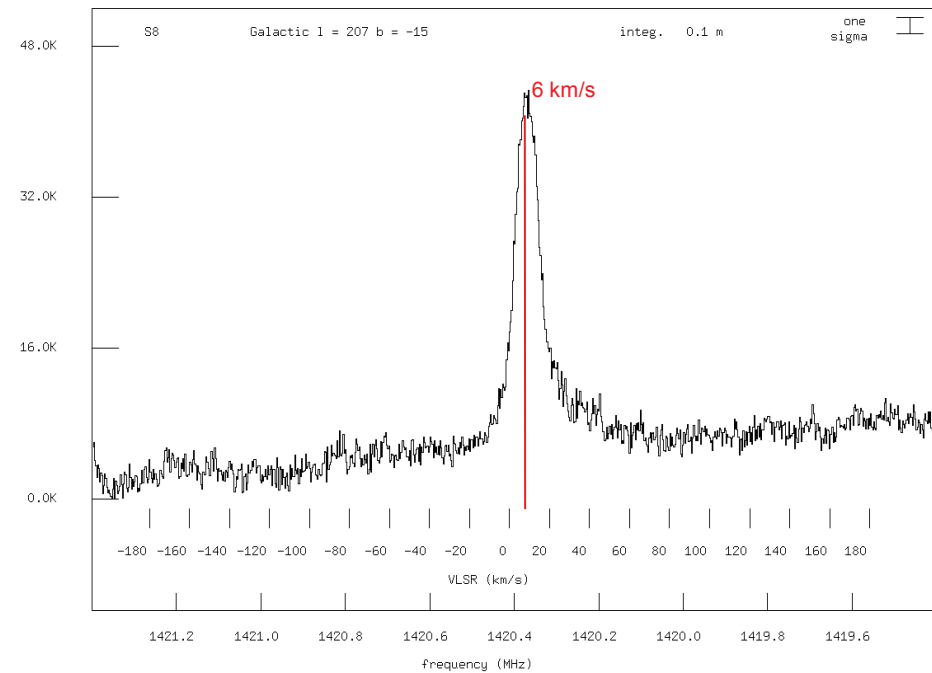
- Offset at 1420.4 MHz =  $\sim 44.4$  kHz
- 31.3 ppm frequency error (Expected is 30-50 ppm)
- Offset can be easily corrected!



# Astronomical Observations: Source S8

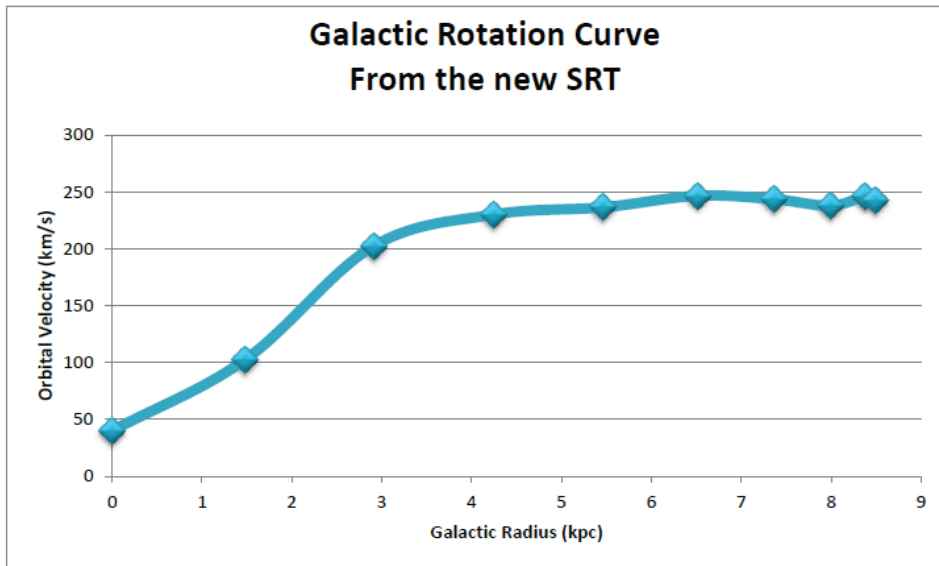


Previous SRT

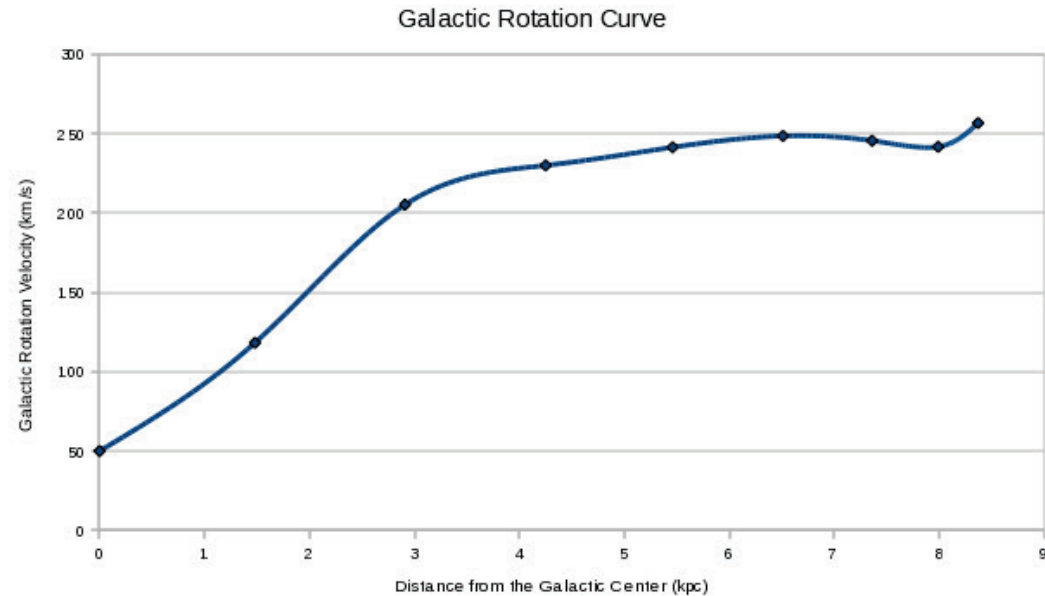


Dongle Based SRT

# Astronomical Observations: Galactic Rotation Curve



Previous SRT



Dongle Based SRT

# Conclusion

- Using the TV USB Dongles as a replacement is feasible:
  - Huge savings
  - Off the shelf device
  - Easier integration, over-head is all in software
  - Able to make astronomical observations

|                                      | Previous SRT | Dongle Based SRT    |
|--------------------------------------|--------------|---------------------|
| Y-Factor                             | 2.71         | 2.82                |
| System Temp.                         | 170.9 K      | 160.2 K             |
| Sample Rate                          | 20 MS/s      | 2.4 MS/s (3.2 MS/s) |
| Resolution                           | 12 bit       | 8 bit               |
| Cost (No Dish/Motor Controller/Pier) | \$3845       | \$691               |

# Questions?

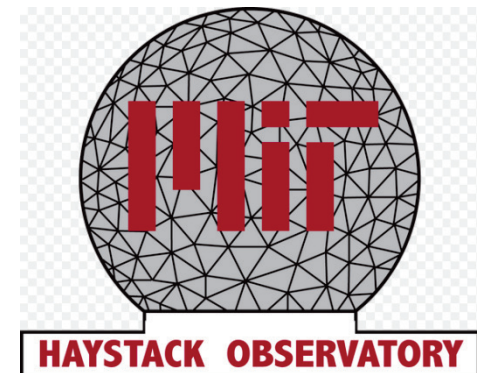
## Acknowledgements:

- MIT Haystack Observatory:

- Dr. Alan Rogers
- Timothy Morin
- Dr. Juha Vierinen
- Mark Derome
- Dr. Vincent Fish, Dr. Phil Erickson, K.T. Paul, Heidi Johnson
- Everyone else at Haystack!

- NSF

8/8/13



# References

- [1] Dr. A. E.E. Rogers, “SRT,” Haystack Observatory, Massachusetts Institute of Technology, Massachusetts, 2012.  
<<http://www.haystack.mit.edu/edu/undergrad/srt/oldsrt.html>>
- [2] D. Johnson and Dr. A. E.E. Rogers, “New SRT,” Haystack Observatory, Massachusetts Institute of Technology, Massachusetts, 2012.  
<<http://www.haystack.mit.edu/edu/undergrad/srt/>>